



Grayloc® Products Limited



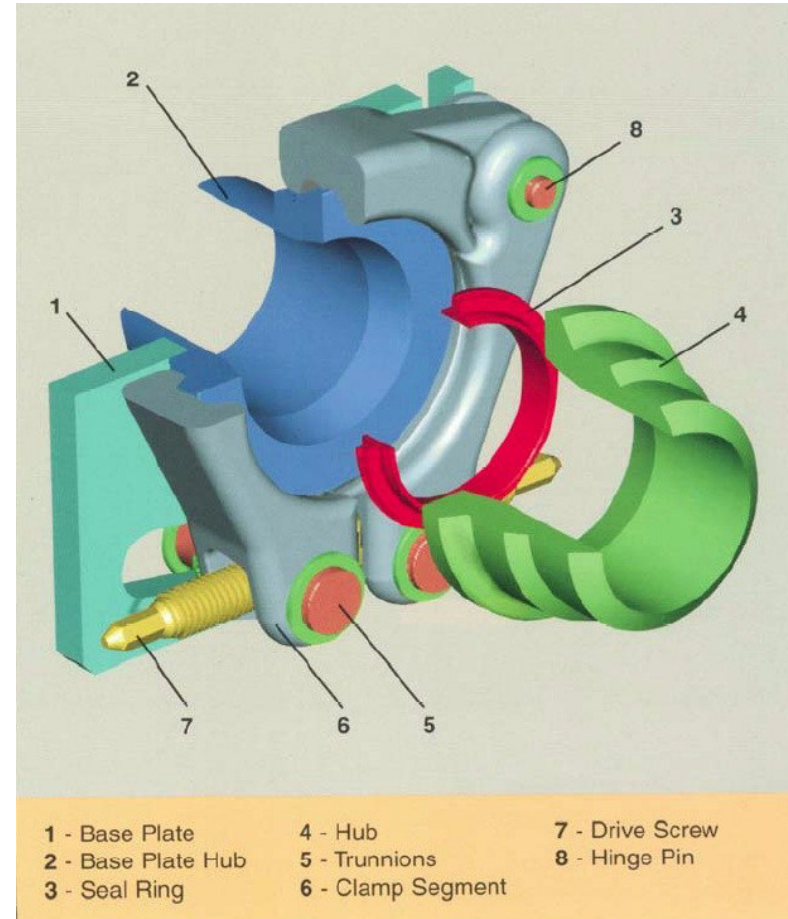
Grayloc[®] Remotely Operated Connectors

A safe, mechanical connector for use in hazardous environments, and personnel restricted zones

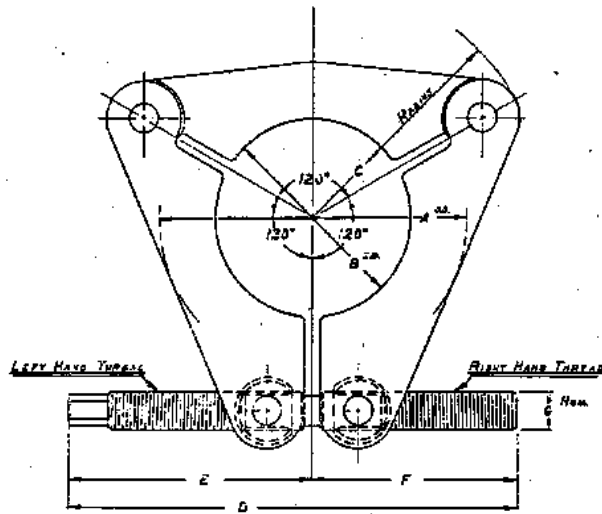
Utilizes well proven Grayloc[®] metal to metal seal ring technology

Clamp pre-loads with single drive screw operation

Reduced opening and closing times, realises significant savings in man-hours and costs



Grayloc® Remote Clamp Connectors



SIZE CLAMP	DIMENSIONS							VERTICAL HEIGHT OF CLAMP
	A	E	C	D	E	F	G	
1½"	4½	2½	3⅞	B	4½	3⅞	⅞	2
2"	5½	3½	3⅞	8	4½	3⅞	⅞	2
2½"	6½	4½	5½	10	5½	4⅞	⅞	2½
3"	6½	4½	5½	10	5½	4⅞	⅞	2½
4"	8½	5½	5⅞	10	5½	4⅞	⅞	2½

All Dimensions in inches

*2½" & 3" CLAMP ARE IDENTICAL
 *1" & 1½" CLAMP ARE IDENTICAL

DRAWN AND PRESENTED BY **GRAY TOOL COMPANY** HOUSTON, TEXAS

GRAY PIPING ASSEMBLIES
 ILLUSTRATION OF VARIOUS LINE PIPE GRAYLOC® COMPOUND CLAMPS

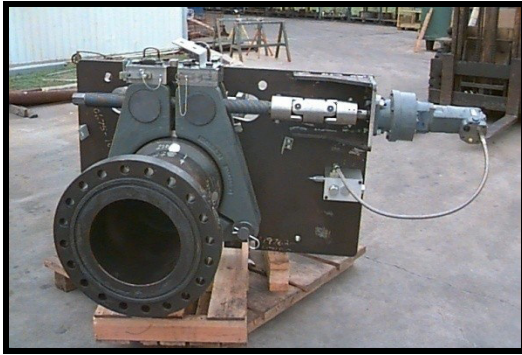
THIS DRAWING IS PRESENTED FOR USE WITHIN YOUR COMPANY WITH REFERENCE TO PROPOSALS SUBMITTED BY US. IT MAY BE COPIED OR DUPLICATED FOR SUCH USE.	REVISIONS	DATE	BY	SCALE	N.T.S.	REVISION
	A					A
	B					
	C					

DATE 6-21-62 DRAWING NO. E-6464

- Developed in 1962
- Nuclear (Hot Cell Applications)
- Metal-to-metal sealing technology
- Remote assembly / disassembly
- Unitized design



Grayloc® Remote Connectors



Grayloc® Automated Connector



12" Grayloc® Subsea Connector



18" Remote Connector



40" Grayloc® Subsea Connector



3" Connectors for Nuclear Piping Application